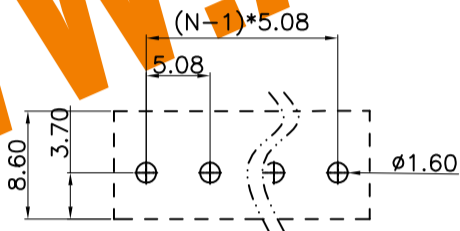
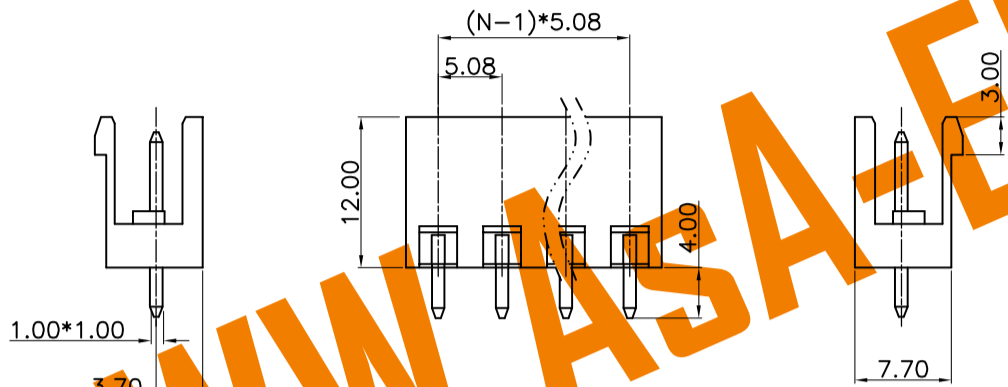
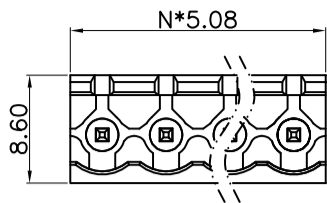


REVISION RECORD				
REV	ECN.	DESCRIPTION	DRFT	DATE



PCB LAYOUT

NOTE 1:

UL标准 (UL Standard)

1. 额定电压与电流: 300V/15A
Rated voltage/Rated current: 300V/15A
2. 功频耐压: AC1600V/Min
Withstanding Voltage: AC1600V/Min

IEC标准 (IEC Standard)

1. 额定电压与电流: 320V/20A
Rated voltage/Rated current: 320V/20A

NOTE 2:

1. 间距 (Pitch): 5.08mm
2. 使用温度范围: -40°C~+105°C
Operating temperature: -40°C~+105°C
3. 符合RoSH环保要求
RoHS Compliance
5. 未标注公差表
Undimensioned tolerances

P距方向公差 (mm) Pitch range in mm		其他尺寸公差 (mm) Nominal dimension range in mm					—	∇
≤6	6 ~ 10	10 ~ 24	≤30	30 ~ 60	60 ~ 100	100 ~ 150	> 150	0.1/10
±0.15	±0.20	±0.30	±0.20	±0.30	±0.50	±0.70	±1.00	±1°



Asa Electronic Co.

Tel : (+98) 21 66 73 56 82 Mob : (+98) 912 03 161 02

N=No.of contacts

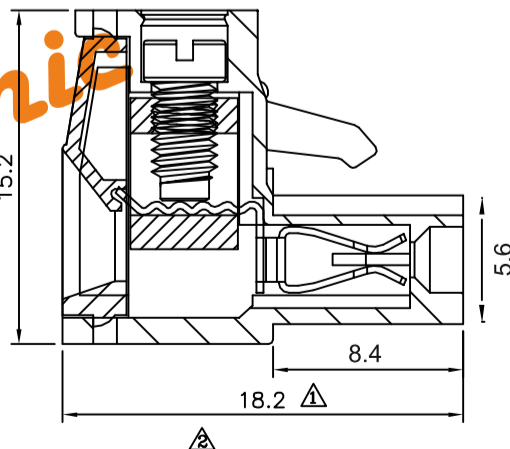
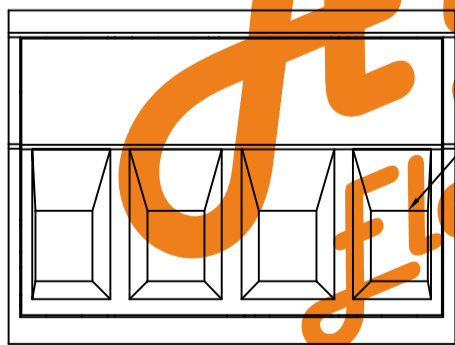
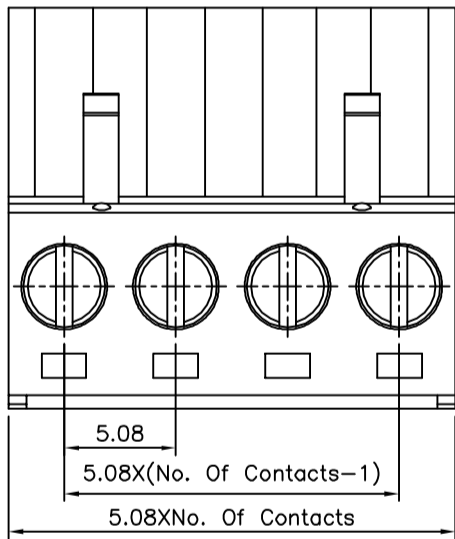
2	(Pin header)焊脚	(Copper alloy)铜合金	(Sn plated)镀锡
1	(Housing)塑件	PA66	UL94V-0
ITEM	NAME OF PART	MATERIAL	NOTES

PART NO.:		/	
APPD:		/	
CHKD:		/	
DRFT:		/	
THIRD ANGLE PROJECTION		型号	2EDG -5.08
		系列	2EDG -5.08
		图号	2EDG 508001
		页码	1/1
		比例	1:1

File No. 689EB12806 SHEET 1/1

△△ SPECIFICATION

- Current Rating:16 Amp/Way Max.
- Voltage Rating:300V AC
- Contact Resistance:20 Milliohms Max.
- Withstanding Voltage:2500V AC(1 Minute)
Test Time=60 Sec./1 PCS
- Operation Temperature:-40°C~+105°C
- Soldering Reliability:Test Temperature=250°C±10°C/
5 Seconds Max.
- Wire Range:12~26 AWG
- Torque:5.0 Kgf.cm/M3
- Insulator Body(Housing):Polyamide(UL94V-0),Green
- Contact(Metal Housing):Copper Alloy,Nickel Plated
- Wire Guard:Copper Alloy,Tin Plated
- Screw:Steel,Galvanized With Cr3+ Plated
- RoHS Compliant



DRAWING No.

19868

APPROVED BY

EMILY

CHECKED BY

HZF

DRAWING BY

YBL

UNLESS OTHERWISE

SPECIFIED

TOLERANCES ARE

X. ±0.50

.X ±0.30

.XX ±0.20

ANG. ±1°

UNIT mm

NO.	REV.	REVISIONS	CHK	DATE
△A3		Modify Spec.	HZF	02/12/2014
△A2		Modify Data	HZF	12/16/2011
△A1		Modify Data	HZF	06/29/2010
△A0		NEW RELEASE	HZF	04/10/2009

SCALE NONE

REV. A3

UNIT mm

NO. REV. REVISIONS CHK DATE